

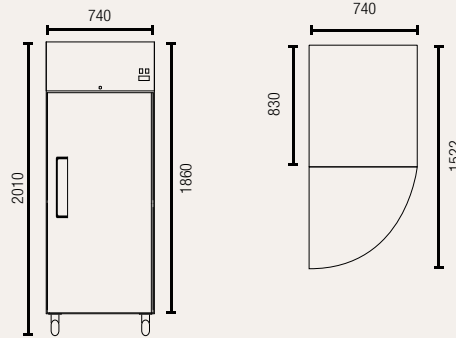
# Upright Storage Refrigerators with Solid Door

## Features:

- Lockable self closing stainless steel doors with integrated handles
- Digital controller and digital temperature display
- Dynamic fan forced cooling system with automatic defrosting
- Shelf to fit gastronorm pan size GN2/1
- Frequency/voltage: 50Hz/220-240 V
- Stainless steel finish exterior and interior
- Plastic coated steel shelves
- Refrigerant: R290
- Lockable castor wheels
- Ambient temperatures from +16°C to +43°C



## GSC650H



Allow min. 100mm clearance for installation, all vents must be left clear

**Gross volume:** 685 L

**Exterior dimensions in mm:** 740w x 830d x 2010h

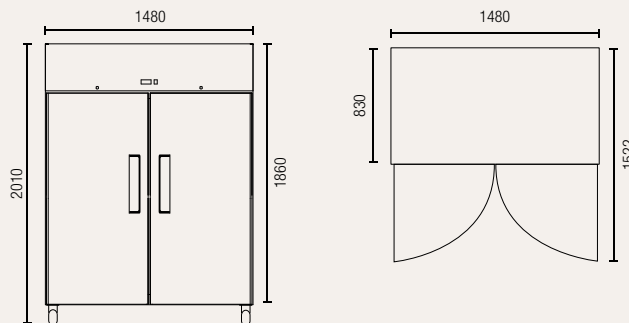
**Number of adjustable shelves:** 3

**Temperature set range:** -2°C to +8°C

**Gross/net weight:** 136/121 kg

**Energy consumption in 24h:** 2.78 kWh

## GSC1410H



Allow min. 100mm clearance for installation, all vents must be left clear

**Gross volume:** 1476 L

**Exterior dimensions in mm:** 1480w x 830d x 2010h

**Number of adjustable shelves:** 6

**Temperature set range:** -2°C to +8°C

**Gross/net weight:** 213/188 kg

**Energy consumption in 24h:** 4.15 kWh