

Vaccine Refrigerators

Features:

- Digital controller with digital temperature display
- Temperature data logger included
- Dynamic fan forced cooling system with automatic defrosting
- Double glazed glass door
- White External and Interior Finish
- Internal LED light
- Frequency/voltage: 50Hz/220-240 V
- Leveling adjustable feet
- QCPP approved
- Plastic coated steel shelves
- Battery backup controller
- Refrigerant: R134a
- Ambient temperatures from +16°C to +32°C



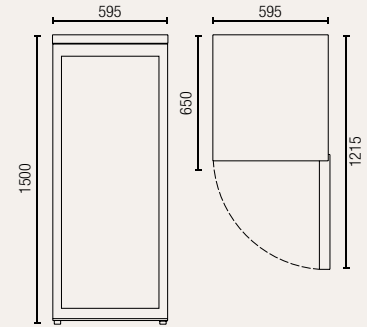
MV300



Temperature data logger included



Battery backup for controller in case of power outage



Quality Care Pharmacy Program
An initiative of The Pharmacy Guild of Australia

Gross/Net volume: 308/300 L

Exterior dimensions in mm: 595w x 650d x 1500h

Number of shelves: 8

Max. noise level: 55 dB

Temperature range: +2°C to +8°C

Gross/net weight: 78/72 kg

Energy consumption in 24h: 2.9 kWh

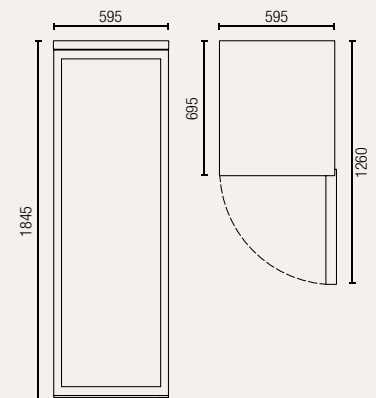
MV400



Temperature data logger included



Battery backup for controller in case of power outage



Quality Care Pharmacy Program
An initiative of The Pharmacy Guild of Australia

Gross/Net volume: 408/400 L

Exterior dimensions in mm: 595w x 695d x 1845h

Number of shelves: 8

Max. noise level: 65 dB

Temperature range: +2°C to +8°C

Gross/net weight: 92/84 kg

Energy consumption in 24h: 3.1 kWh