

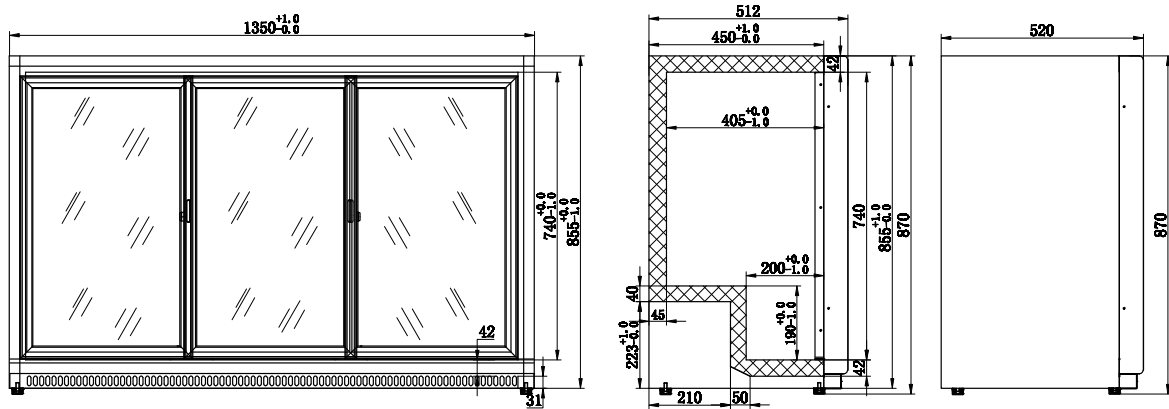
# Back Bar Fridge 307L - 3 Doors - Sliding

| Bar Fridge & Freezers



## Back Bar Fridge 307L - 3 Doors - Sliding

| Bar Fridge & Freezers



### SPECIFICATIONS

Model Number	BB0330GDS-NR-1
Part Number	3736074-1
Volume	307L
Unit Weight	90kg
Packaged Weight	65kg
Adjustable Temp. Range	+1 to +10°C
Max. Ambient Temp.	38°C
Climate Class	3M1
Energy Consumption	3.58kWh/24h
GEMS Star Rating	3 stars
Refrigeration Capacity	408W
Refrigerant	R600
Rated Current	2.1A
Electrical Voltage	220-240V
Frequency	50Hz
Power Supply	Single Phase
Power Plug	1 x 10A
Plug Location	Rear, bottom

Colour	Black
Internal Light	LED
No. of Doors	3
Door Type	Glass
Door Glass Type	Double Glazed
Door Style	Sliding
Self-Closing Door	Yes
Door Lock	Yes
No. of Shelves per Door incl Base	3
Shelf Type	Adjustable
Shelves Dimensions	370(w) x 326(d) mm
Temp. Controller	Digital
Castors	No, adjustable feet
Warranty	2 Years Parts & Labour Bromic Extra Care

### DIMENSIONS

<b>External (mm)</b>	
<b>Width</b>	1350
<b>Depth</b>	520
<b>Height</b>	870
<b>Internal (mm)</b>	
<b>Width</b>	1270
<b>Depth</b>	385
<b>Height</b>	820
<b>Packaged (mm)</b>	
<b>Width</b>	1395
<b>Depth</b>	564
<b>Height</b>	895