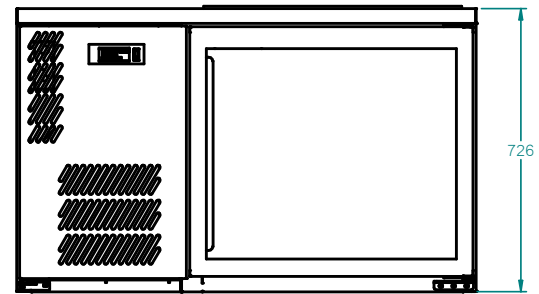
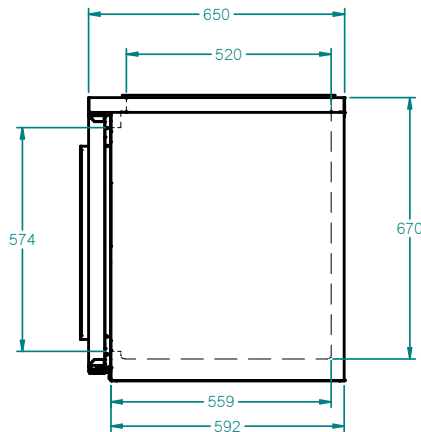
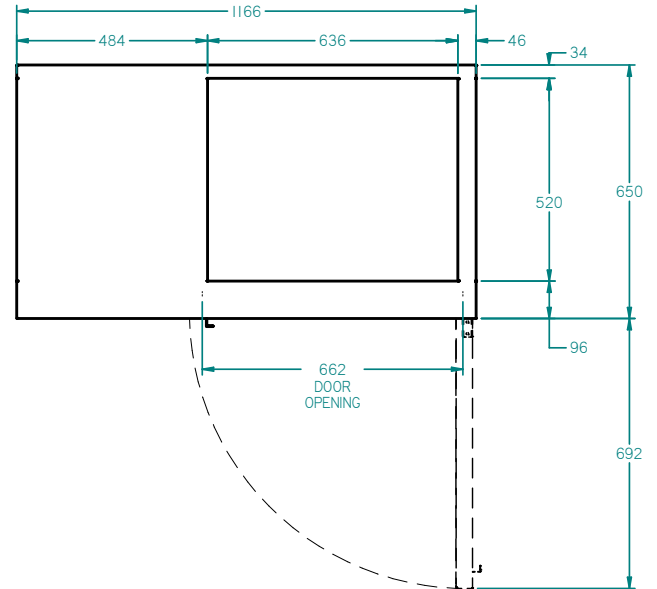


GC15UGDSL



CATEGORY	GENERAL COUNTERS & BACK BARS
RANGE	Glass Chiller
UNIT	REFRIGERATOR
TYPE	SELF CONTAINED
DOORS	1



SPECIFICATIONS

CAPACITY - BASKET/DOOR (NOT INCLUDED)(500 X 500 BASKETS) (BASED ON 150MM H GLASSES)	3 Baskets
TEMPERATURE	1°C / 4°C
SPRING LOAD	YES
DIMENSIONS - W X D X H (ON 120MM H CASTORS) MM	1166 W x 649 D x 845 H
WEIGHT UNPACKED (KG)	100
STANDARD INCLUSIONS ***	
DOOR TYPE	Standard: GD (Glass Door)
FINISH (INTERIOR AND EXTERIOR EXCLUDING REAR AND UNDER)	SS (Stainless Steel)
SPRING LOADING CAGE	1
ELECTRICAL	
POWER SUPPLY	10 amp
POWER CABLE LENGTH (METRES)	2
RUNNING AMPS	3.6
GAS TYPE	
REFRIGERANT	R134a

*** For **OPTIONS** refer to the current Williams Price Guide