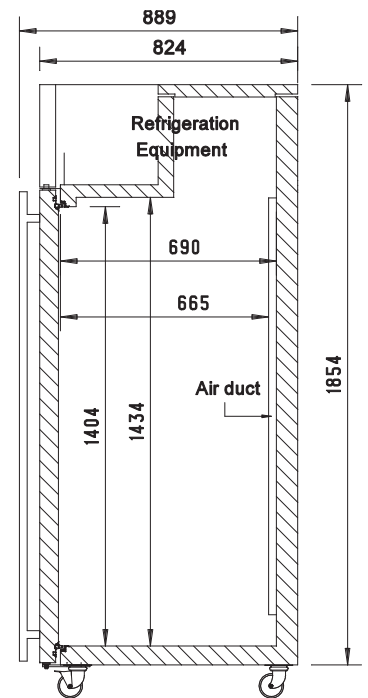
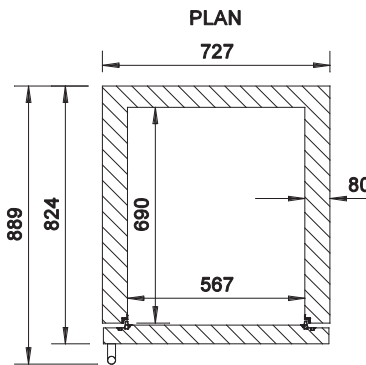
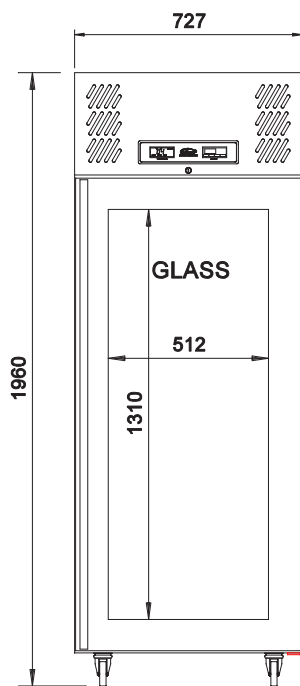


MAR1-HC



CATEGORY	HYDROCARBON
RANGE	Meat ageing refrigerator
UNIT	DRY AGE REFRIGERATOR
TYPE	SELF CONTAINED
DOORS	1



SPECIFICATIONS

CAPACITY LITRES	620
TEMPERATURE	1°C / 6°C
DIMENSIONS - W X D X H (ON CASTORS) MM	727 W x 889 D x 1960 H
WEIGHT UNPACKED (KG)	230

STANDARD INCLUSIONS

DOOR TYPE	Standard: GD (Glass Door)
FINISH (INTERIOR AND EXTERIOR EXCLUDING REAR AND UNDER)	SS (Stainless Steel)
SHELVES/DOOR	4

ELECTRICAL

POWER SUPPLY	10 amp
POWER CABLE LENGTH (METRES)	2
RUNNING AMPS	1.65

GAS TYPE

REFRIGERANT	R290
-------------	------