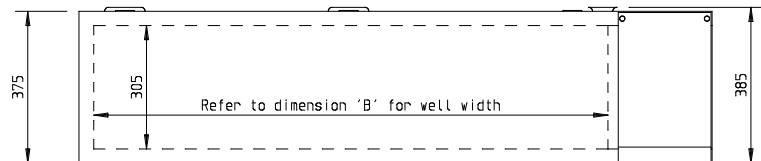
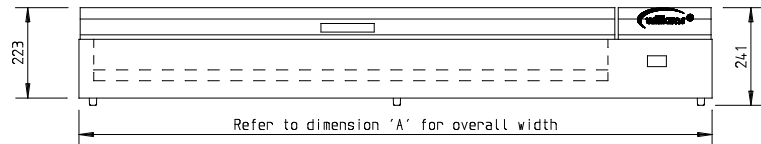
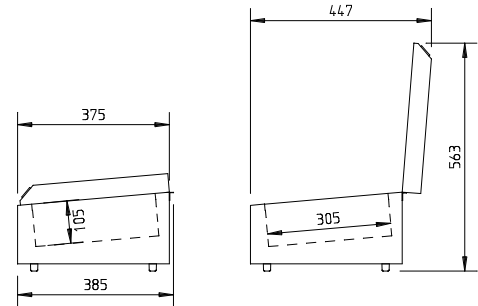


TW9



CATEGORY	PREPARATION COUNTERS
RANGE	Thermowell
UNIT	REFRIGERATOR
TYPE	SELF CONTAINED
LID	YES

Model	Dimension 'A'	Dimension 'B'
TW9	980mm	687mm



SPECIFICATIONS

CAPACITY (GN PANS EXCLUDED)	4 X 1/3 X 100 mm Gn pans
DIMENSIONS - W X D X H MM	980 W x 385 D x 241 H
WEIGHT UNPACKED (KG)	30
FINISH (INTERIOR AND EXTERIOR EXCLUDING UNDER)	SS (Stainless Steel)

ELECTRICAL

POWER SUPPLY	10 amp
POWER CABLE LENGTH (METRES)	2
RUNNING AMPS	1.3

GAS TYPE

REFRIGERANT	R134a
--------------------	-------

*** For **OPTIONS** refer to the current Williams Price Guide