

# EPRO PLUS

## battery monitor



Complete battery status information at a glance (% , V , A , Ah , W , h:m , °C)

Supports up to three battery banks (12V, 24V and 48V)

Very simple 'Plug and Play' installation

Perfect integration with Enerdrive DC Modular products



Unit 11, 1029 Manly Road, Tingalpa, 4173  
Ph: 1300 851 535 | Fax: 07 3390 6911  
Email: [sales@enerdrive.com.au](mailto:sales@enerdrive.com.au)  
[www.enerdrive.com.au](http://www.enerdrive.com.au)

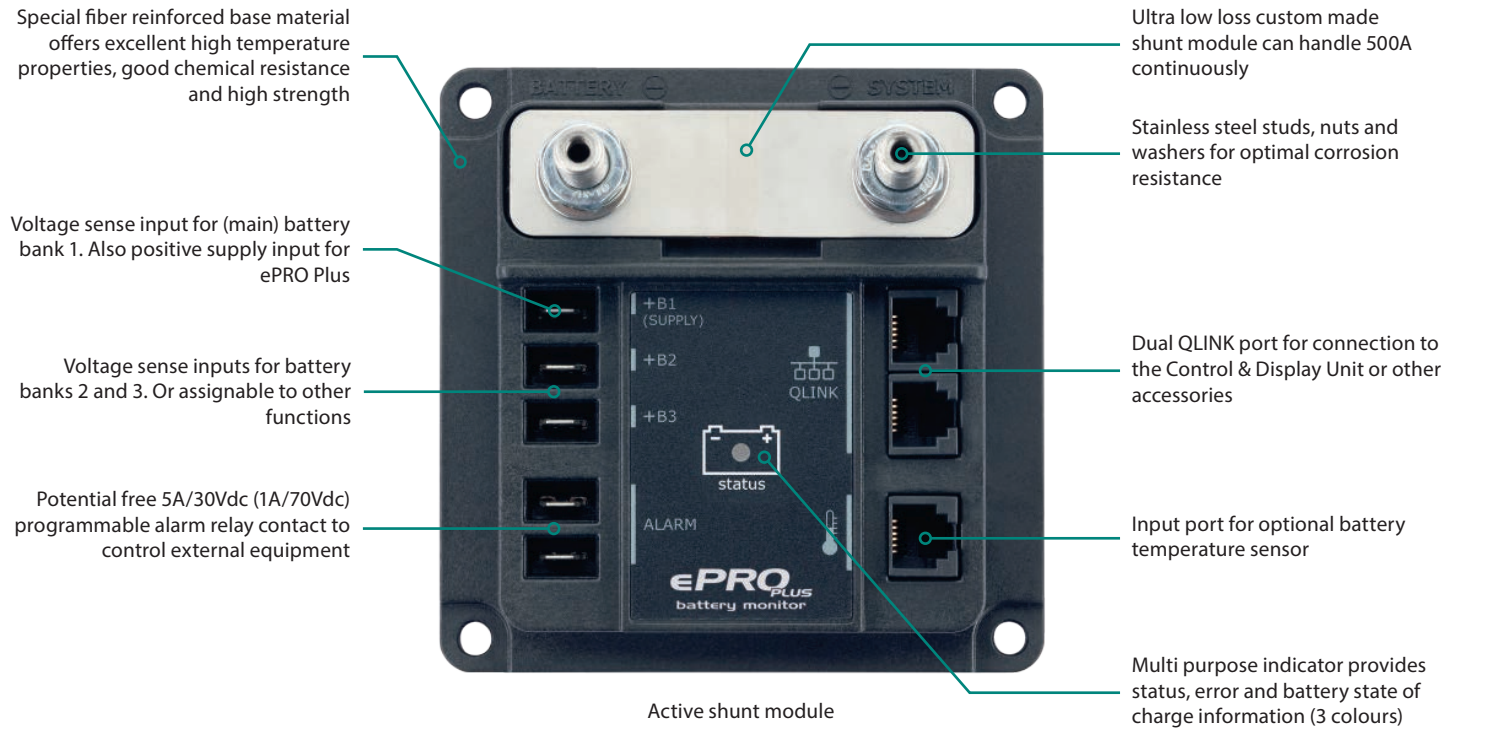
## ePRO PLUS high precision battery monitor

The ePRO PLUS is our latest generation, highly advanced battery monitor. It consists of an intelligent shunt and a remote control display unit. The shunt has a Grid Optimized footprint for perfect integration with our DC Modular products.

This advanced battery monitor not only shows the true state of charge of your battery system. It also offers a large amount of additional features to optimally supervise your battery system and control external equipment. The ePRO PLUS is compatible with lead based and Lithium batteries (LiFePO4).

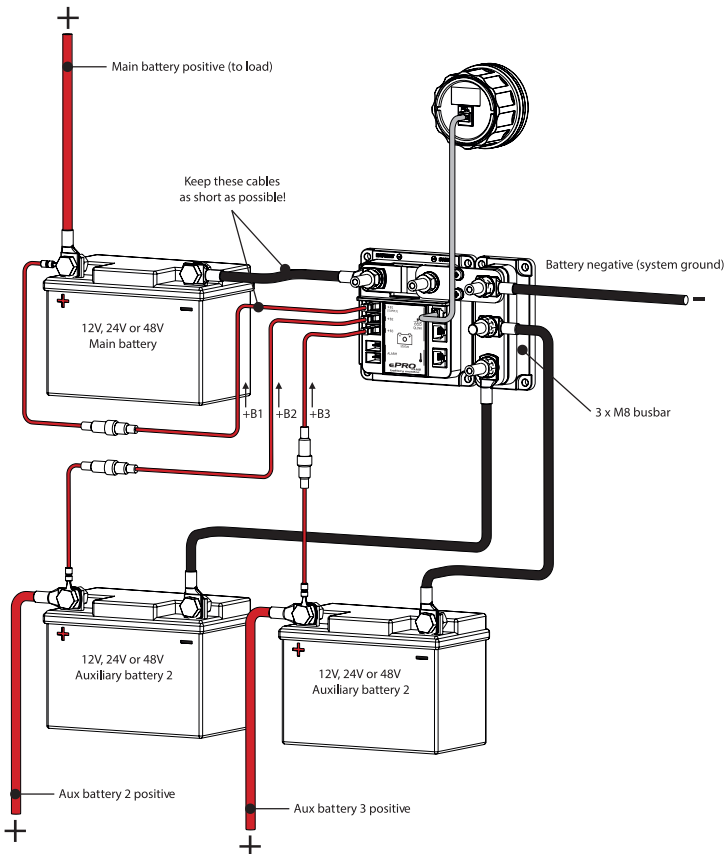
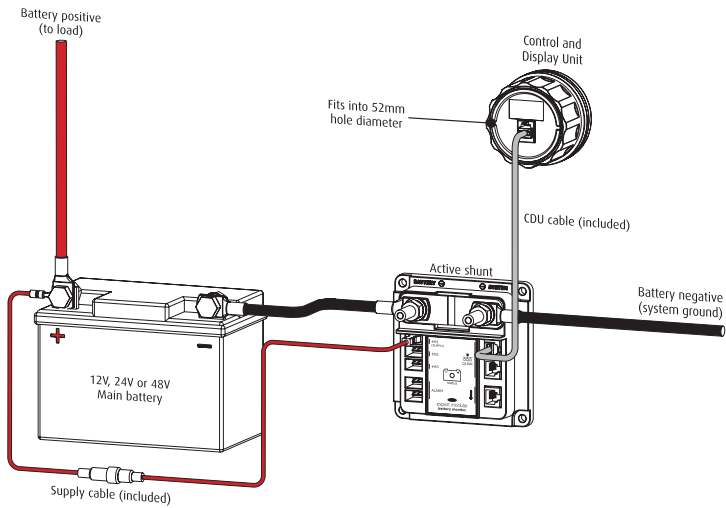
The ePRO PLUS can monitor up to three battery banks. The inputs for battery bank 2 and 3 can also be configured for other purposes, like mid-point voltage measurement, keyswitch input, setup lock or backlight control. The ePRO PLUS battery monitor can measure DC currents up to 600Amps (500Amp continuous) and voltages up to 70Vdc. So any lead- or lithium based battery from 12V up to 48V can be monitored.

The installation time is minimal, requiring only one supply wire to the intelligent shunt base and a single 'QuickLink' cable between the shunt base and the control/display unit (CDU). Additionally, the battery minus cable must be interrupted in order to insert the shunt into the high current circuit. The fused supply wire and the QuickLink cable are both included in the package, avoiding the need for a separate connection kit.





Example schematic of single and multiple battery setups. Notice the small amount of cables that are needed to get the ePRO Plus up and running. The supply and CDU cables are both included. Also included but not shown in the above picture are rubber caps to cover unused I/O ports against pollution.



The image on the left shows the normal operating mode with the second parameter row disabled. This results in a clean display area that only shows the battery state of charge (%) and the bar graph. A perfect mode for less technical end users.



During function setup, status or history readout, each parameter is clearly explained using scrolling text in the display. This will make it a lot easier to browse through the ePRO Plus menu, without having to consult a list of parameter numbers.



By enabling the second parameter row, the user can scroll through the following battery parameters: Volt, Amp, Ah, time remaining, temperature, Watts, and maintenance hours. The second parameter row can be set to automatically hide after a specified number of seconds or to stay present permanently. It is also possible to selectively disable certain parameter readings that are not relevant to the user.



When an alarm is activated (for example due to a low battery state of charge), the alarm bell icon will be lit and an explanation about the type of alarm will scroll through the display. An audible alarm can be enabled to let the CDU beep for additional attention.



The ePRO PLUS active shunt base has a Grid Optimized footprint. This enables perfect system integration with busbars and fuseholders from the Enerdrive DC Modular product lineup. The above picture shows a nice solution to avoid stacking all battery negative return cables on the single "System side" stud of the shunt.



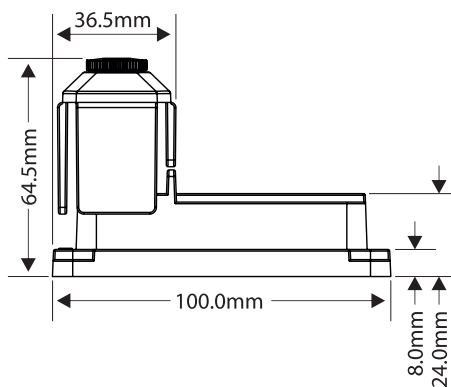
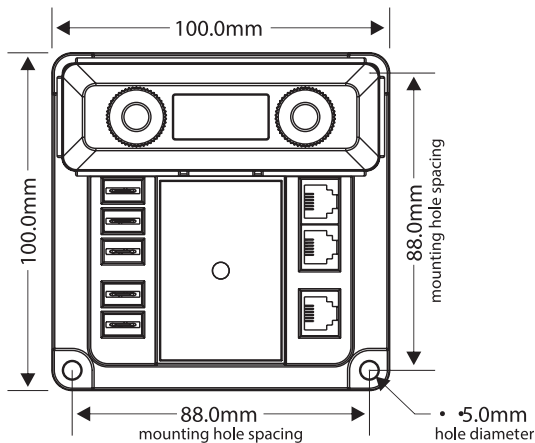
Parameter		ePRO Plus (Part No: EN55050)
Supply voltage range		7..70Vdc
Supply current (@ 12V/ 24V/48V)		10mA / 6mA / 5mA
Input voltage range main battery (+B1)		7..70Vdc <sup>1)</sup>
Input voltage range second and third battery (+B2, +B3)		1..70Vdc
Input current range		-600..+600A <sup>2)</sup>
Battery capacity range		10..10000Ah
Operating temperature range		-20..+50°C
Storage temperature range		-30..+70°C
Readout resolution	Voltage (0..70V)	± 0.01V
	Current (0..10A)	± 0.01A
	Current (10..100A)	± 0.1A
	Current (100..600A)	± 1A
	State of Charge (0..100%)	± 1%
	Time remaining (0..24hrs)	± 1min
	Time remaining (24..240hrs)	± 1hr
	Amphours (0..10000Ah)	± 0.01Ah..10Ah (variable)
	Power (0..42kW)	± 0.01W..1kW (variable)
	Temperature (-20°C..+50°C)	± 0.5°C
Voltage measurement accuracy		± 0.3%
Current measurement accuracy		± 0.4%
Shunt dimensions:	Footprint	100 x 100mm
	Base height	24.0mm
	Total height	64.5mm
	Weight	290grams
Display dimensions:	Front panel	Ø 64.0mm
	Body diameter	Ø 51.5mm
	Total depth	36.0mm
	Weight	70grams
Protection class		IP20 (CDU front panel only IP65)
Standards		CE certified (EMC Directive 2014/30/EU) including EN50498 Automotive EMC

All specifications are subject to change without notice

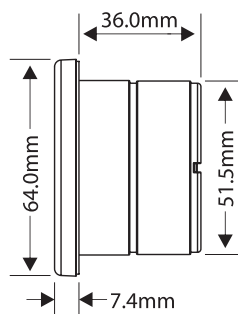
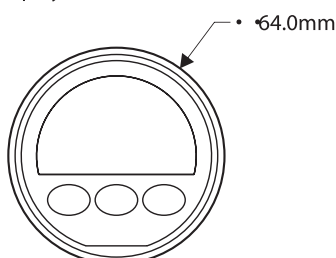
<sup>1)</sup> When input +B1 is only used for supply and +B2 for main battery voltage measurement, the input voltage range for the main battery is 1..70Vdc

<sup>2)</sup> +/- 600A is the maximum rating for 20 minutes. The continuous input current range is +/- 500A

### Active shunt module:



### Control & Display Unit (CDU):



Isolated Quicklink to USB interface kit (Part# EN5092130). Includes Dashboard for Windows software for readout and setup of the ePRO PLUS.



Isolated Quicklink to RS232 interface kit (Part# EN5092030). Includes Dashboard for Windows software for readout and setup of the ePRO PLUS.



Temperature sensor kit 3m (Part# EN5055310) or 10m (Part# EN5055340). Monitoring the battery temperature will result in an even more accurate state of charge prediction.



Combine the ePRO PLUS active shunt seamlessly with busbars and fuseholders from the DC Modular series. Create compact clusters of DC distribution products quickly, easily, and safely.

Dealer: