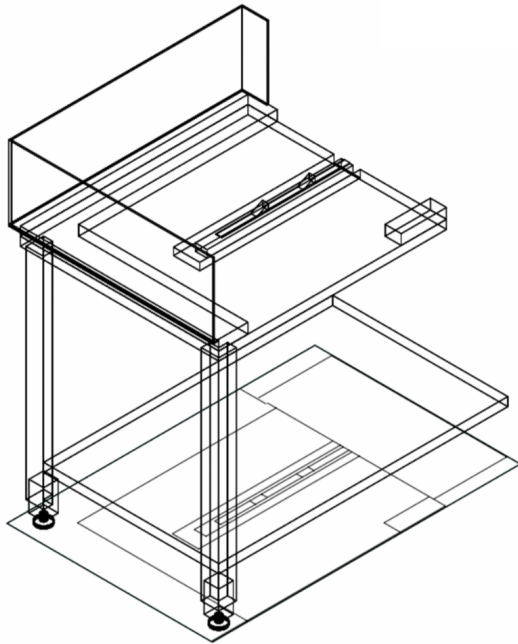




## Fagor Stainless Steel Corner Bench w/ Introduction of Baskets by the Left Side E-90I



### Quick Overview

- Orientation: Left Side
- Suitable for FAGOR CCO RACK CONVEYER DISHWASHERS
- Practical choice. Here's a wide range of Stainless Steel Corner Bench, to provide you solutions for your every need and space!
- Reliable and efficient. This remarkable unit offers quick installation and easy connection to the dishwasher
- Great value for money. Get the longevity you need for the price you want with this corner bench's stainless steel construction!
- Hygienic & easy to clean. Our products meet the appropriate Health Department requirements, and are easy to clean, with simple assembly and remarkable service. Its deep anti-drip profiles are completely folded with lower edge for safe and easy cleaning.

### Description

Fagor Stainless Steel Corner Bench w/ Introduction of Baskets by the Left Side E-90I

Robust, reliable and of great value, our multipurpose kitchen equipment provides a superior solution for every need and space! Designed for 500mm x 500mm dishwashing baskets, this Stainless Steel Corner Bench offers quick installation and easy connection to the dishwasher.

This is a fast selling purchase for any prospective restaurant or café owner who operates a medium to large establishment.

### Key Features:

- Introduce baskets with advancement conveyor system
- Introducer of baskets 90 ° by the left side with anti-splash at the entry
- Wide range of entry/exit and prewashing tables
- Designed for 500mm x 500mm dishwashing baskets
- Quick installation and easy connection to the dishwasher
- No holes on the surface

- AISI-304 stainless steel (18/10)
- 40mm x 40mm square tubular adjustable legs in AISI-304 stainless steel
- Deep anti-drip profiles completely folded with lower edge for safe and easy cleaning
- Element for coupling at an angle to the inlet of the dishwasher drag, and insert the baskets automatically
- The drag nails are activated by the drag mechanism of the dishwasher
- Provided with lower shelf

Additional information:

- Orientation: Left Side
- Material: Stainless Steel

Warranty: 2 Years Parts and Labour

Your Shipping Specifications

---

Net Weight (Kg)	15
Width (mm)	790
Depth (mm)	690
Height (mm)	850
Packing Width (mm)	2150
Packing Depth (mm)	1465
Packing Height (mm)	800
Warranty	2 Years Parts and Labour