

Modular Ice Machine (Head Only) Flake - 200kg/24h

| Ice Machines

Stainless steel construction for corrosion resistance and easy cleaning

Shapeless flake ice cools rapidly without harming delicate produce

Electric PCB controller for easy settings adjustment and monitoring

Fully compliant with Australian safety standards and regulations

Bromic Extra Care Warranty - 3 Years Parts, 1 Year Labour

Efficient cooling reduces ventilation clearance requirements for easier installation

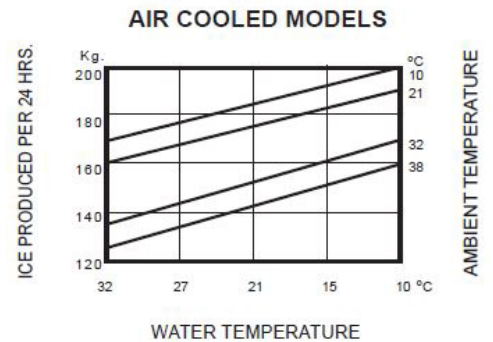
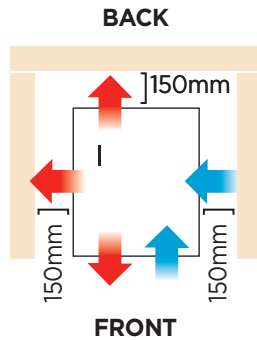
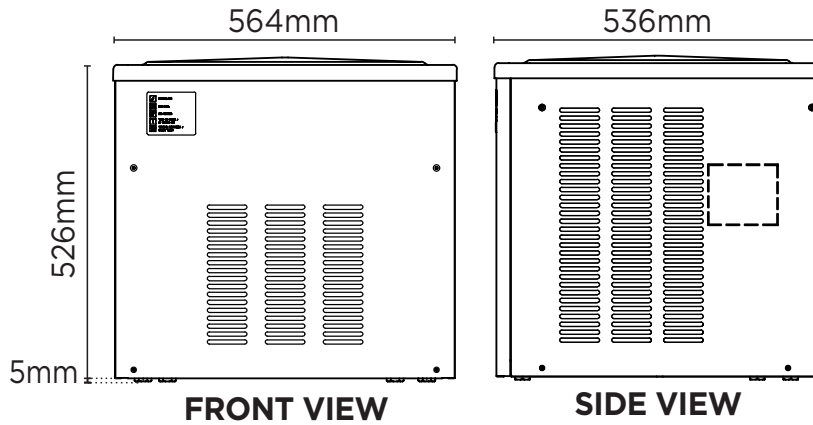
Agion®-treated materials prevent bacteria growth for maximum hygiene

Head Only, Suitable storage bin: SB129, SB178, SB243. Sold separately.



Modular Ice Machine (Head Only) Flake - 200kg/24h

| Ice Machines



Flake Ice

SPECIFICATIONS

Model	IM200FM	Frequency	50Hz
Part Number	3935203	Power Supply	Single Phase
Unit Weight	49kg	Plug Supplied	1 x 10A
Packaged Weight	54kg	Plug Location	Rear, bottom right
Ambient Temperature	40°C	Water Consumption	6.5L/h
Energy Consumption	16kWh/24h	Maximum Daily Production	200kg/24h
Refrigeration Capacity	700W	Ice Type	Flake
Refrigerant	R404a	Storage Bin Compatibility	SB129, SB178, SB243
Current	4A	Warranty	3 Years Parts & 1 Year Labour
Electrical Voltage	220-240V		Bromic Extra Care

DIMENSIONS

	External (mm)
Width	564
Depth	536
Height	526
	Packaged (mm)
Width	630
Depth	610
Height	680

External height excludes legs
Production is based on kg/24hr at 10°C air & 10°C water