

## ICE BINS

Our complete range of stainless steel bins come in standard sizes to fit our range of ice cube heads and ice flaker heads.

The Bin250 and the Bin400 are adaptable for many of the ice machine heads. In today's market, the Bin150 is designed for narrow width ice machines up to 560mm.

Bins can be made to order to suit various applications and fit-outs.



### Features

- Stainless steel exterior
- Adaptable to most machine
- Technical support



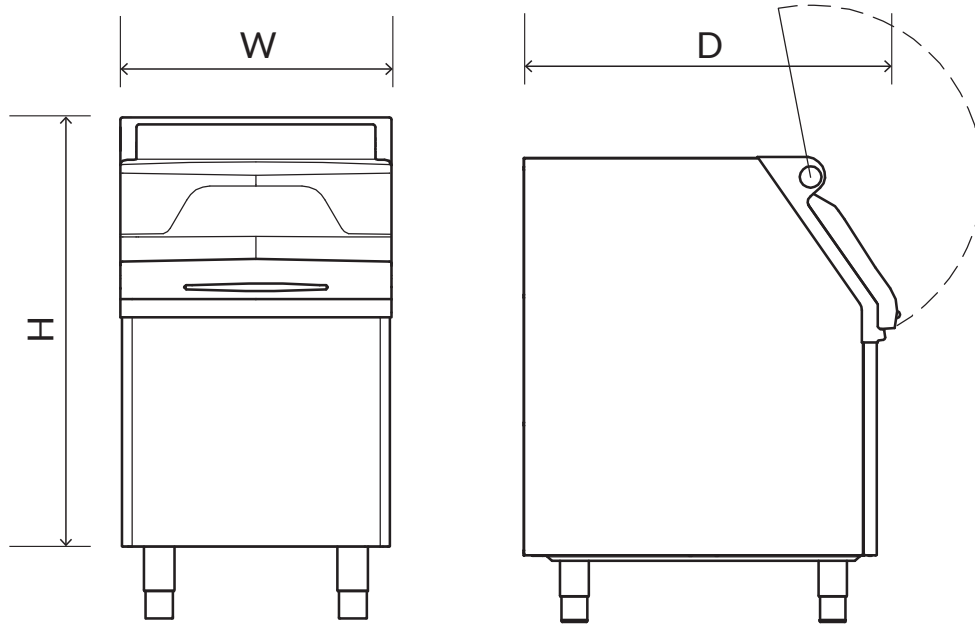
solid ice cube



granular ice flakes



hard ice cube



	BIN150	BIN250	BIN400
Storage Capacity (kg)	150kg	250kg	400kg
Dimensions (W x D x H)	560 x 850 x 895mm	760 x 850 x 950mm	1230 x 800 x 1030mm
Legs	100-150mm	100-150mm	100-150mm
Net Weight	40kg	60kg	80kg
Packing Dimensions	600 x 910 x 1080mm	850 x 920 x 1080mm	1300 x 880 x 1200mm
Gross Weight	50kg	80kg	100kg
Suitable for	KS140/KQ150/IMS150	KS300/600 KQ250/400	KS300/600 KQ250/400

**DISTRIBUTED BY:**