

# Ice Machine Storage Bin 178kg

| Ice Machines

Stainless steel construction for corrosion resistance and easy cleaning

Insulated with polyurethane to slow down melting and maximise ice lifespan

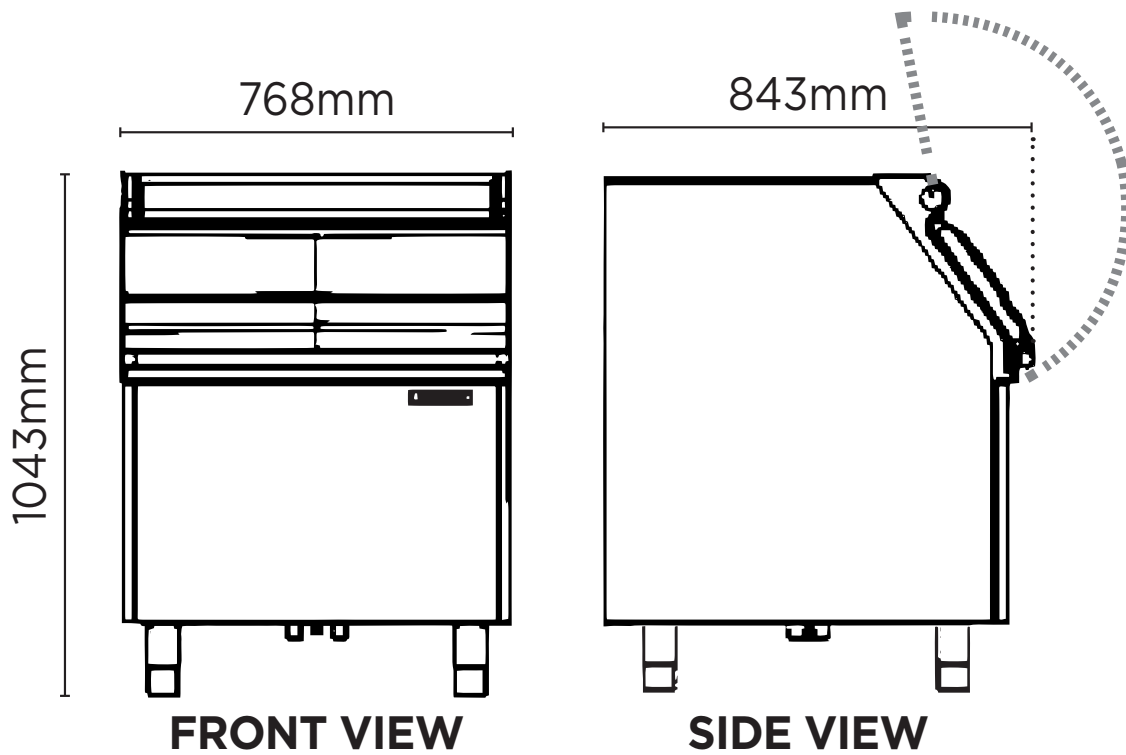
Bromic Extra Care Warranty - 3 Years Parts, 1 Year Labour



Agion®-treated materials prevent bacteria growth for maximum hygiene

**Ice Machine Storage Bin**  
**178kg**

| Ice Machines



**SPECIFICATIONS** **DIMENSIONS**

Model	SB178	Storage Bin Capacity	178kg	<b>External (mm)</b>
Part Number	3935271	Warranty	3 Years Parts & 1 Year Labour	
Unit Weight	62kg		Bromic Extra Care	<b>Width</b> 768
Packaged Weight	67kg			<b>Depth</b> 843
				<b>Height</b> 1043
				<b>Packaged (mm)</b>
				<b>Width</b> 818
				<b>Depth</b> 893
				<b>Height</b> 1093