

SB243

BROMIC
REFRIGERATION

Ice Machine Storage Bin 243kg

| Ice Machines

Stainless steel construction for
corrosion resistance and easy cleaning

Insulated with polyurethane
to slow down melting and
maximise ice lifespan

Bromic Extra Care Warranty -
3 Years Parts, 1 Year Labour



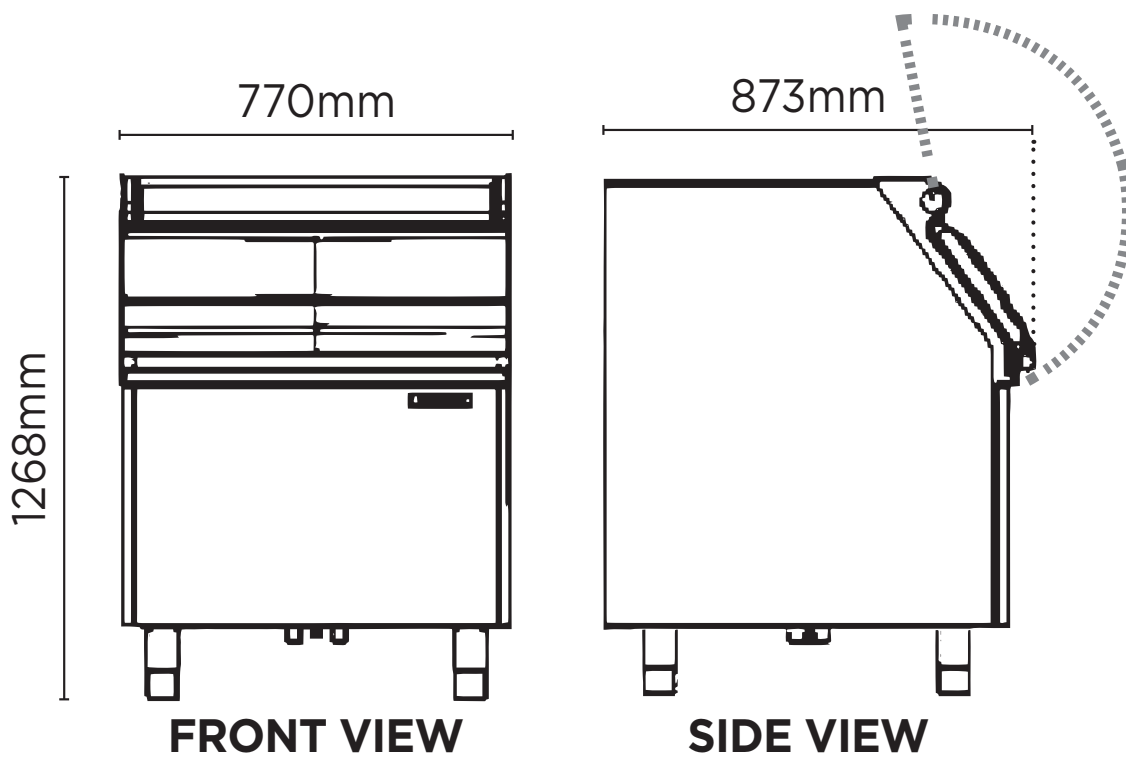
Agion®-treated materials
prevent bacteria growth for
maximum hygiene



Ice Machine Storage Bin

243kg

| Ice Machines



SPECIFICATIONS				DIMENSIONS	
Model	SB243	Storage Bin Capacity	243kg	External (mm)	
Part Number	3935272	Warranty	3 Years, Parts & 1 Year Labour	Width	770
Unit Weight	68kg		Bromic Extra Care	Depth	873
Packaged Weight	73kg			Height	1268
				Packaged (mm)	
				Width	820
				Depth	923
				Height	1318