

# GLASS DOOR MERCHANDISER



Fan cooling



Digital



LED lamp

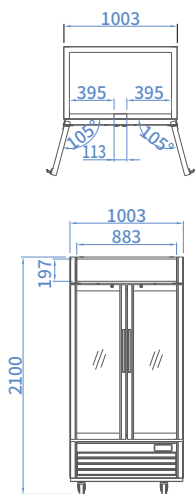
SGM-35



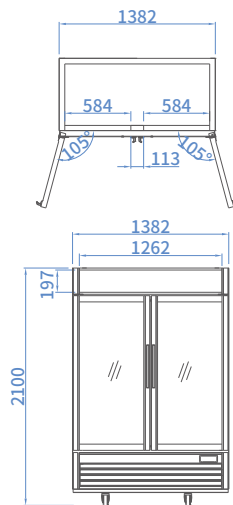
SGM-49



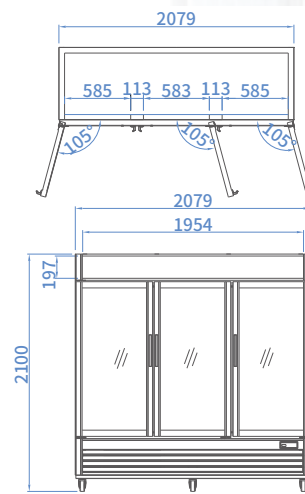
SGM-72



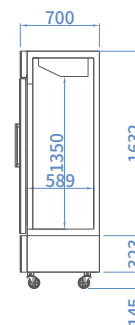
SGM-35



SGM-49



SGM-72



MODEL	SGM-35	SGM-49	SGM-72
Classification		Refrigerator	
Cabinet Dimension (WxDxH mm)	1003 x 700 x 2100	1382 x 700 x 2100	2079 x 700 x 2100
Capacity (ℓ)	752	1039	1604
Inner Temperature (°C)		1~ 8	
Ambient Temperature (°C)		40	
Refrigerant		R-134a	
Insulation Type		Polyurethane/ Cyclopentane + CFC Free	
Amps (A)	2	2	5.5
Voltage (V/Hz/Ph)		240 / 50 / 1	
Weight (Kg)	140	160	220
Door Type		Swing door	
Number of Doors	2	2	3
Power (W)	435	435	550
Number of Shelves	8	8	12
Power Plug		10A	