

HTU2GS



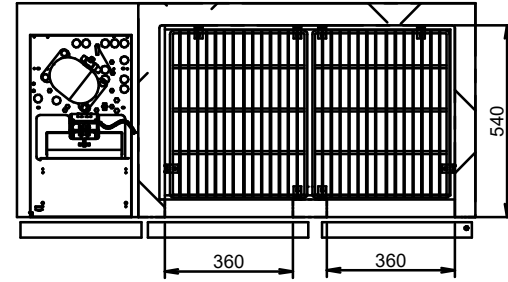
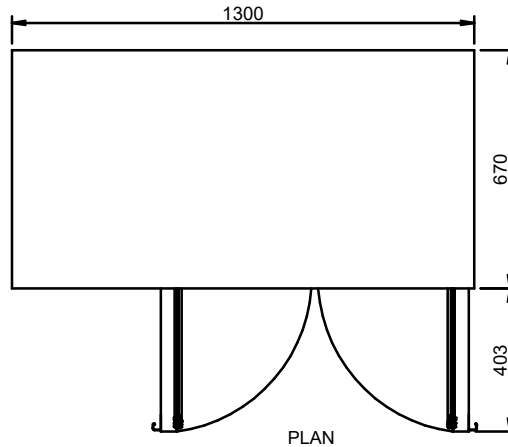
CATEGORY | TOPAZ

RANGE | **Topaz
Under Counter**

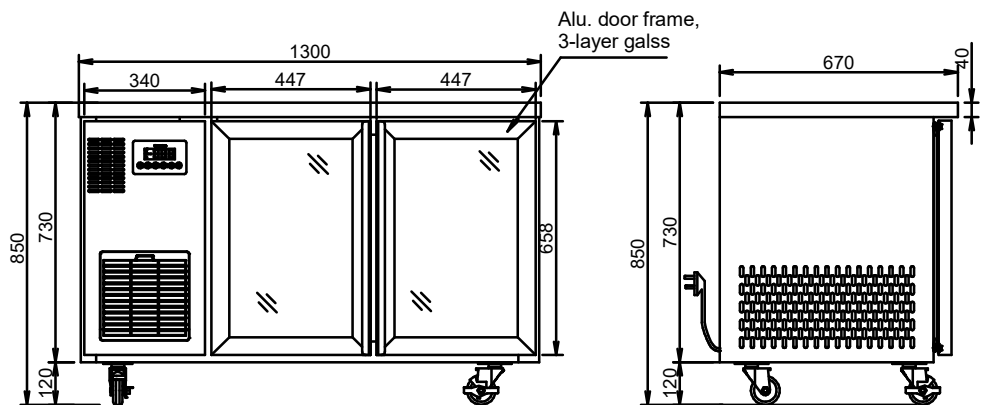
UNIT | REFRIGERATOR

TYPE | SELF CONTAINED

DOORS | 2



E-E SECTION VIEW



ELEVATION

SIDE VIEW

SPECIFICATIONS

CAPACITY LITRES	210
TEMPERATURE	1°C / 4°C
DIMENSIONS - W X D X H (ON 120 MM H CASTORS) MM	1300 W x 670 D x 850 H
WEIGHT UNPACKED (KG)	90
STANDARD INCLUSIONS	
DOOR TYPE/SPLIT	G (Glass Door)
FINISH (INTERIOR AND EXTERIOR EXCLUDING REAR AND UNDER)	S (Stainless Steel)
SHELVES/DOOR (ADJUSTABLE STRIPS AND CLIPS)	2
GAS TYPE	
REFRIGERANT	R134a

ELECTRICAL

POWER SUPPLY	10 amp
POWER CABLE LENGTH (METRES)	2
RUNNING AMPS	2.0
PERFORMANCE	
KWH/24H READING	4.7
TEST CONDITIONS	M1
AMBIENT RATING	38°C