

# HTU2SS



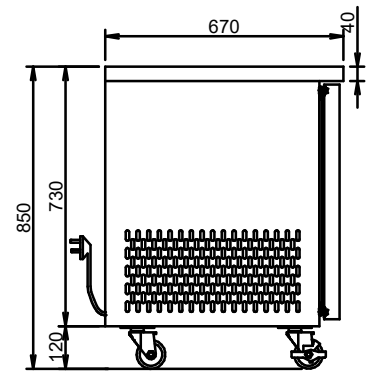
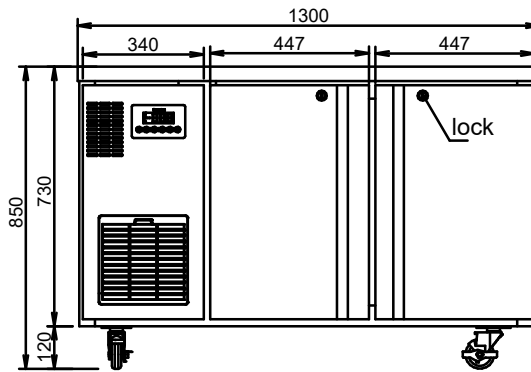
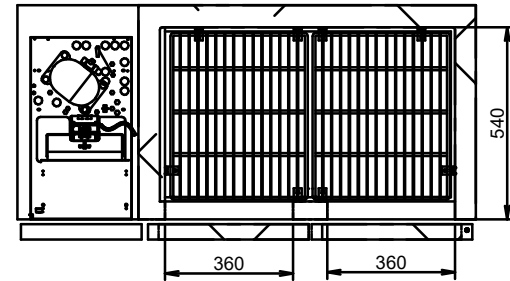
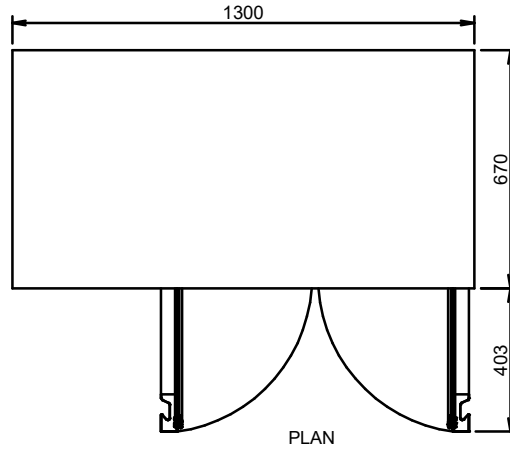
CATEGORY TOPAZ

RANGE **Topaz Under Counter**

UNIT REFRIGERATOR

TYPE SELF CONTAINED

DOORS 2



## SPECIFICATIONS

CAPACITY LITRES	210
TEMPERATURE	1°C / 4°C
DIMENSIONS - W X D X H (ON 120 MM H CASTORS) MM	1300 W x 670 D x 850 H
WEIGHT UNPACKED (KG)	90
<b>STANDARD INCLUSIONS</b>	
DOOR TYPE/SPLIT	S (Solid Door)
FINISH (INTERIOR AND EXTERIOR EXCLUDING REAR AND UNDER)	S (Stainless Steel)
SHELVES/DOOR (ADJUSTABLE STRIPS AND CLIPS)	2
<b>GAS TYPE</b>	
REFRIGERANT	R134a

## ELECTRICAL

POWER SUPPLY	10 amp
POWER CABLE LENGTH (METRES)	2
RUNNING AMPS	2.0
<b>PERFORMANCE</b>	
KWH/24H READING	4.32
TEST CONDITIONS	M1
AMBIENT RATING	38°C