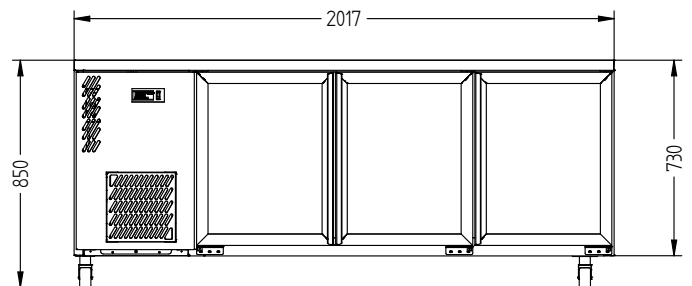
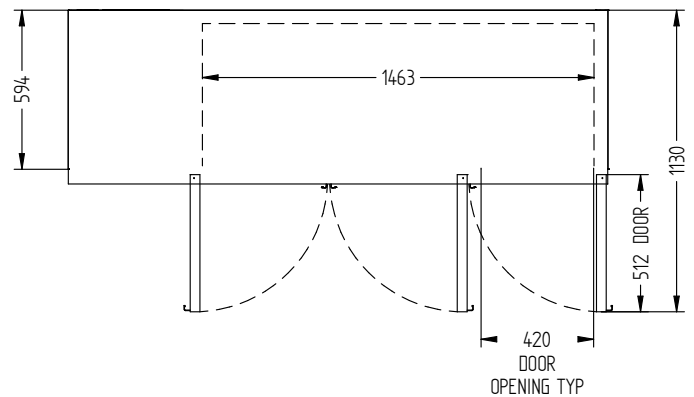
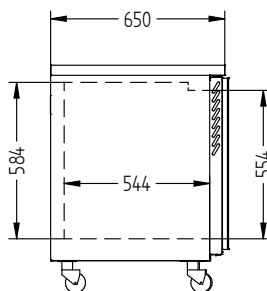


HCM3UG-HC



| | |
|----------|------------------------------|
| CATEGORY | GENERAL COUNTERS & BACK BARS |
| RANGE | CAMEO MINI |
| UNIT | REFRIGERATOR |
| TYPE | SELF CONTAINED |
| DOORS | 3 |



SPECIFICATIONS

| | |
|---|------------------------|
| CAPACITY LITRES | 485 |
| TEMPERATURE | 1°C / 4°C |
| FRONT BREATHING | YES |
| DIMENSIONS - W X D X H (ON 120 MM H CASTORS) MM | 2017 W x 650 D x 850 H |
| WEIGHT UNPACKED (KG) | 155 |

STANDARD INCLUSIONS ***

| | |
|---|--|
| DOOR TYPE | Standard: G (Glass Door) |
| FINISH (INTERIOR AND EXTERIOR EXCLUDING REAR AND UNDER) | B (Black with stainless steel countertop and internal floor) or S (Stainless Steel) interior and exterior excluding rear and under |
| SHELVES/DOOR (ADJUSTABLE STRIPS AND CLIPS) | 2 |

GAS TYPE

| | |
|-------------|------|
| REFRIGERANT | R290 |
|-------------|------|

ELECTRICAL

| | |
|-----------------------------|--------|
| POWER SUPPLY | 10 amp |
| POWER CABLE LENGTH (METRES) | 2 |
| RUNNING AMPS | 1.5 |

PERFORMANCE

| | |
|-------------------|------|
| KWH/24H | 2.16 |
| TEMPERATURE CLASS | M1 |
| CLIMATE CLASS | 3 |
| AMBIENT RATING | 40°C |

*** For **OPTIONS** refer to the current Williams Price Guide