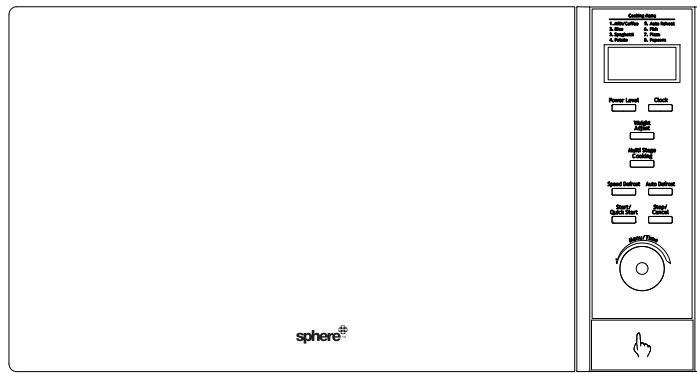




# MICROWAVE OVEN



**MODEL: P90D25EP-H3**  
**PART NUMBER: 700-06052**

## Owner's Manual

Please read these instructions carefully before installing and operating the Microwave Oven. Record the SERIAL NO. in the space below. The SERIAL NO. can be found on the nameplate on your Microwave Oven. Retain this information for future reference.

**SERIAL NO.:** \_\_\_\_\_

## **PRECAUTIONS TO AVOID POSSIBLE EXPOSURE TO EXCESSIVE MICROWAVE ENERGY**

1. Do not attempt to operate this microwave oven with the door open. Operation whilst the door is open can result in harmful exposure to microwave energy. It is important not to defect or tamper with the safety locks.
2. Do not place any object between the microwave oven front face and the door. Do not allow soil or detergent residue to accumulate on any sealing surfaces.
3. Do not operate the microwave oven if it is damaged. It is particularly important that the microwave oven door closes properly and that there is no damage to the:
  - a. Door (bent),
  - b. Hinges and latches (broken or loosened),
  - c. Door seals and sealing surfaces.
4. The microwave oven should not be adjusted or repaired by anyone with the exception of properly qualified service personnel.

## **CONTENTS**

PRECAUTIONS TO AVOID POSSIBLE EXPOSURE TO EXCESSIVE MICROWAVE ENERGY .....	2
IMPORTANT SAFETY INSTRUCTIONS .....	3
SPECIFICATIONS .....	3
INSTALLATION .....	3
RADIO INTERFERENCE.....	3
MICROWAVE COOKING PRINCIPLES.....	4
GROUNDING INSTRUCTIONS .....	4
BEFORE YOU CALL FOR SERVICE .....	4
UTENSILS GUIDE .....	5
PART NAMES .....	5
CONTROL PANEL .....	6
HOW TO SET THE OVEN CONTROLS.....	7
Setting Digital Clock.....	7
Microwave Cooking .....	7
Quick Start .....	7
Auto Defrost .....	7
Speed Defrost .....	8
Multi Stage Cooking .....	8
Child Lock .....	8
Auto Cook.....	8
CLEANING AND CARE.....	9

## IMPORTANT SAFETY INSTRUCTIONS

When using electrical appliances basic safety precautions should be followed, including the following:

**WARNING:** To reduce the risk of burns, electric shock, fire, injury to persons or exposure to excessive microwave energy:

1. Read all instructions before using the appliance.
2. Use this appliance only for its intended use as described in this manual. Do not use corrosive chemicals or vapours in this appliance. This type of microwave oven is specifically designed to heat, cook or dry food. It is not designed for industrial or laboratory use.
3. **Do not operate the microwave oven when empty.**
4. Do not operate this appliance if it has a damaged cord or plug, if it is not working properly or if it has been damaged or dropped. If the supply cord is damaged, it must be replaced by the manufacturer or its service agent or a similarly qualified person in order to avoid a hazard.
5. **WARNING:** Only allow children to use the microwave oven with supervision and when adequate instructions have been given so that the child is able to use the microwave oven in a safe way and understands the hazards of improper use.
6. To reduce the risk of fire in the microwave oven cavity:
  - ✧ When heating food in plastic or paper containers, check the microwave oven frequently for the possibility of ignition.
  - ✧ Remove wire twisters from paper or plastic bags before placing in the microwave oven.
  - ✧ If smoke is observed, switch off or unplug the appliance and keep the door closed in order to stifle any flames.
  - ✧ Do not use the cavity for storage purposes. Do not leave paper products, cooking utensils or food in the cavity when not in use.
7. **WARNING:** Liquid or other food must not be heated in sealed containers since they are likely to explode.
8. Microwave heating of beverages can result in delayed eruptive boiling, therefore care has to be taken when handling the container.
9. Do not fry food in the microwave oven. Hot oil can damage parts and utensils and can even result in skin burns.
10. Eggs in their shell and whole hard-boiled eggs should not be heated in microwave ovens since they may explode even after microwave heating has ended.
11. Pierce foods with heavy skins (such as potatoes, whole squashes, apples and chestnuts) before cooking.
12. The contents of feeding bottles and baby jars should be stirred or shaken and the temperature should be checked before serving in order to avoid burns.
13. Cooking utensils may become hot because of heat transferred from the heated food. Potholders may be needed to handle the utensil.
14. Utensils should be checked to ensure that they are suitable for use in microwave ovens.
15. **WARNING:** It is hazardous for anyone other than a trained person to carry out any service or repair operation which involves the removal of any cover which gives protection against exposure to microwave energy.
16. This product is a Group 2 Class B ISM equipment. The definition of Group 2 which contains all ISM (Industrial, Scientific and Medical) equipment in which radio-frequency energy is intentionally generated and/or used in the form of electromagnetic radiation for the treatment of material, and spark erosion equipment. Class B equipment is equipment suitable for use in domestic establishments and in establishments directly connected to a low voltage power supply network which supplies buildings used for domestic purpose.
17. This appliance is not intended for use by persons (including children) with reduced physical, sensory or mental capabilities, or lack of experience and knowledge, unless they have been given supervision or instruction concerning use of the appliance by a person responsible for their safety.
18. Children should be supervised to ensure that they do not play with the appliance.

## SPECIFICATIONS

Power Consumption:	230~240V/50Hz, 1400W(Microwave)
Output:	900W
Operation Frequency:	2450MHz
Outside Dimensions:	281mm(H)×483mm(W)×386mm(D)
Microwave Oven Cavity Dimensions:	220mm(H)×340mm(W)×344mm(D)
Microwave Oven Capacity:	25Litres
Cooking Uniformity:	Turntable System
Net Weight:	Approx. 13.9 kg

## INSTALLATION

1. Make sure that all packing materials are removed from the inside of the door.
2. **WARNING:** Check the microwave oven for any damage, such as a misaligned or bent door, damaged door seals and sealing surfaces, broken or loose door hinges and latches and dents inside the cavity or on the door. If there is any damage, do not operate the microwave oven and contact qualified service personnel.
3. This microwave oven must be placed on a flat, stable surface to hold its weight and the heaviest food likely to be cooked in the microwave oven.
4. Do not place the microwave oven where heat, moisture, or high humidity is generated, or near combustible materials.
5. *For correct operation*, the microwave oven must have sufficient airflow. Allow 20cm of space above the oven, 10cm at the back and 5cm on both sides. Do not cover or block any openings on the appliance. Do not remove the feet.
6. Do not operate the microwave oven without the glass tray, roller support, and shaft in their proper positions.
7. Make sure that the power supply cord is undamaged and does not run under or over any hot or sharp surface.
8. The power socket must be readily accessible so that it can be easily unplugged in an emergency.
9. Do not use the microwave oven outdoors.

## RADIO INTERFERENCE

Operation of the microwave oven can cause interference to your radio, TV, or similar equipment. When there is interference, it may be reduced or eliminated by taking the following measures:

1. Clean the door and sealing surface of the microwave oven.
2. Reposition the receiving antenna of the radio or TV.
3. Reposition the microwave oven away from the receiving antenna.
4. Plug the microwave oven into a different outlet so that the microwave oven and receiver are on different branch circuits.

## MICROWAVE COOKING PRINCIPLES

1. Arrange food carefully. Place the thickest items towards outside of dish.
2. Watch the cooking time. Cook for the shortest amount of time indicated and add more as needed. Severely overcooked food can produce smoke or ignite.
3. Cover food whilst cooking. Food covers prevent spattering and facilitates even cooking.
4. Turn foods over once during microwave cooking, this speeds up the cooking of food such as chicken and hamburgers. Large items like roasts must be turned over at least once.
5. Rearrange foods, such as meatballs, halfway through cooking both from top to bottom and from the centre of the dish to the outside.

## GROUNDING INSTRUCTIONS

This appliance must be grounded. This microwave oven is equipped with a cord having a grounding wire with a grounding plug. It must be plugged into a wall outlet that is properly installed and grounded. In the event of an electrical short circuit, grounding reduces the risk of electric shock by providing an escape wire for the electric current. It is recommended that a separate circuit serving only the microwave oven be provided. Using high voltage is dangerous and may result in a fire or other accidents causing damage to the microwave oven.

**WARNING** Improper use of the grounding plug can result in an electric shock.

### Note:

1. If you have any questions about the grounding or electrical instructions, consult a qualified electrician or service person.
2. Neither the manufacturer nor the dealer can accept any liability for damage to the microwave oven or personal injury resulting from failure to observe the electrical connection procedures.

The wires in the main cable are coloured in accordance with the following code:

Green and Yellow = EARTH

Blue = NEUTRAL

Brown = LIVE

## BEFORE YOU CALL FOR SERVICE

If the microwave oven fails to operate:

1. Check to ensure that the microwave oven is plugged in securely. If it is not, remove the plug from the outlet, wait 10 seconds, and plug it in again securely.
2. Check for a blown circuit fuse or a tripped main circuit breaker. If these seem to be operating properly, test the outlet with another appliance.
3. Check to ensure that the control panel is programmed correctly and the timer is set.
4. Check to ensure that the door is securely closed by engaging the door safety lock system. Otherwise, the microwave energy will not flow into the microwave oven.

IF NONE OF THE ABOVE RECTIFIES THE SITUATION, THEN CONTACT A QUALIFIED TECHNICIAN. DO NOT TRY TO ADJUST OR REPAIR THE MICROWAVE OVEN YOURSELF.

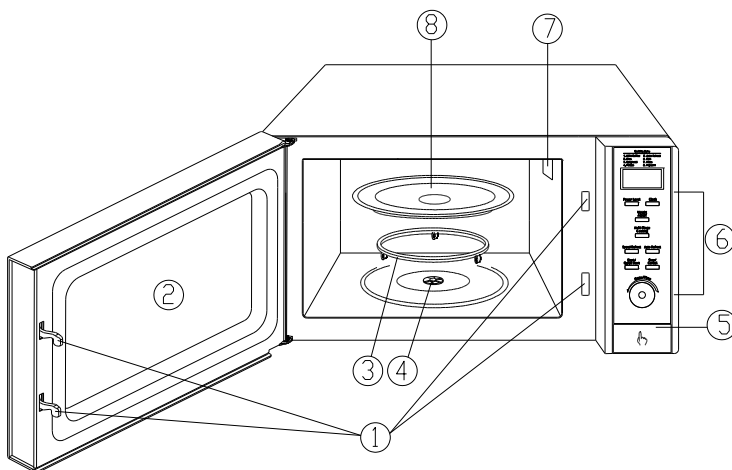
## UTENSILS GUIDE

1. The ideal material for a microwave utensil is transparent to the microwave as it allows energy to pass through the container and heat the food.
2. Microwaves cannot penetrate metal, so metal utensils or dishes with a metallic trim should not be used.
3. Do not use recycled paper products when microwave cooking, as they may contain small metal fragments which may cause sparks and/or fires.
4. Round/oval dishes rather than square/oblong ones are recommended, as food in corners tend to overcook.
5. Narrow strips of aluminium foil may be used to prevent overcooking of exposed areas. But be careful not to use too much and keep a distance of 1 inch (2.54cm) between foil and the cavity.

The list below is a general guide to help you select the correct utensils.

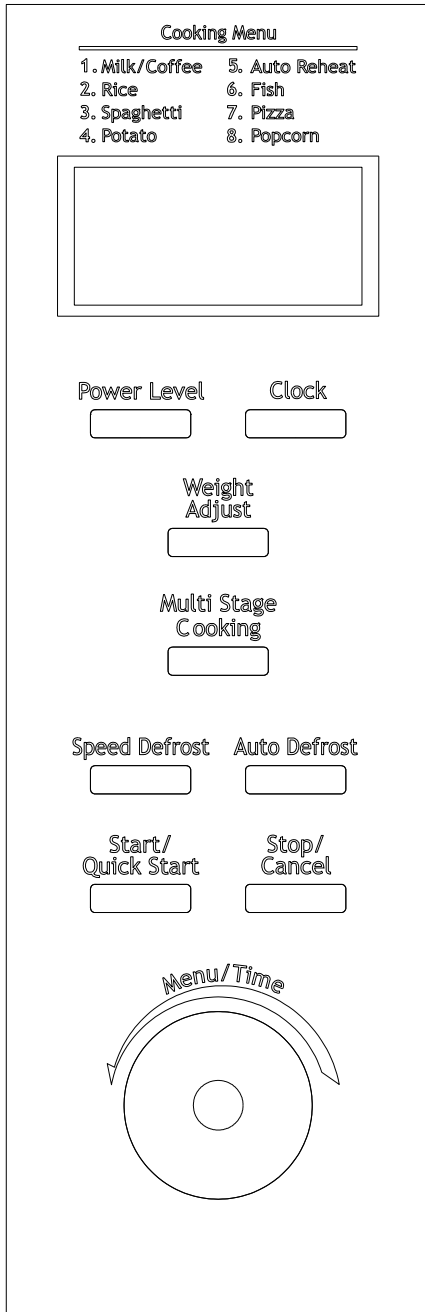
COOKWARE	MICROWAVE
Heat-Resistant Glass	Yes
Non Heat-Resistant Glass	No
Heat-Resistant Ceramics	Yes
Microwave-Safe Plastic Dish	Yes
Kitchen Paper Towel	Yes
Metal Tray	No
Metal Rack	No
Aluminium Foil & Foil Containers	No

## PART NAMES



1. Door Safety Lock System
2. Oven Window
3. Turntable Roller
4. Shaft
5. Door Release Button
6. Control Panel
7. Wave Guide
8. Glass Turntable

## CONTROL PANEL



### ● MENU ACTION SCREEN

- ✘ Cooking time, power, action indicators and clock time are displayed.

### ● POWER LEVEL

- ✘ Press this button a number of times to set the microwave cooking power level.

### ● CLOCK

- ✘ Press this button to start setting the microwave oven clock, press it again to end.

### ● WEIGHT ADJUST

- ✘ Press this button to specify food weight or number of servings.

### ● AUTO DEFROST

- ✘ Press to defrost food by weight.

### ● SPEED DEFROST

- ✘ Press to defrost food by time.

### ● MULTI STAGE COOKING

- ✘ Use to set multi stage cooking program.

### ● MENU/TIME(DIAL)

- ✘ Turn the dial to input cooking time.
- ✘ Rotate to select the cooking menu.

### ● START/QUICK START

- ✘ Press to start a cooking program.
- ✘ Press repeatedly to set Quick Start function.

### ● STOP/CANCEL

- ✘ Press to cancel a setting or reset the microwave oven before setting a cooking program.
- ✘ Press once to temporarily stop cooking, or twice to cancel cooking altogether.
- ✘ It is also used for setting the Child Lock.

# HOW TO SET THE MICROWAVE OVEN CONTROLS

Each time a button is pressed, a beep will sound to acknowledge the selection.

## **SETTING THE DIGITAL CLOCK**

With the microwave oven ready for input, press the CLOCK button once or twice to set the digital clock in a 24 or 12 hour cycle.

FOR EXAMPLE: Suppose you want to set the oven clock time to 8:30.

1. Press CLOCK button once or twice.
2. Turn MENU/TIME to indicate the hour digit 8.
3. Press CLOCK button.
4. Turn MENU/TIME dial to indicate the minute digits until the screen shows 8: 30.
5. Press CLOCK to confirm the setting.

You can press the CLOCK button once to check clock time during cooking.

## **MICROWAVE COOKING**

To cook with microwave power alone, press the POWER LEVEL button a number of times to select a cooking power level, and then use the MENU/TIME dial to set a desired cooking time. The longest cooking time is 95 minutes.

Select the power level by pressing the POWER LEVEL button:

Press Power Level button	Cooking power
once	100%
twice	90%
3 times	80%
4 times	70%
5 times	60%
6 times	50%
7 times	40%
8 times	30%
9 times	20%
10 times	10%
11 times	0%

FOR EXAMPLE: Suppose you want to cook for 5 minutes at 60% of microwave power.

1. Press POWER LEVEL button repeatedly until it shows 60.
2. Turn MENU/TIME to 5:00.
3. Press the START/QUICK START button.

Note: During cooking, you can check the present cooking power by pressing the POWER LEVEL button.

## **QUICK START**

This feature allows you to start the microwave oven quickly at full power.

Press the START/QUICK START button a number of times to set the cooking time, the microwave oven starts work at full power level immediately.

After the total time has elapsed, the system will sound beeps with END in display. The beeps will continue to sound every two minutes until the door is opened or any button is pressed.

## **AUTO DEFROST**

The microwave oven allows the defrosting of meat, poultry and seafood. The time and the defrosting power are adjusted automatically once the weight is programmed. The weight range of frozen foods varies between 100g and 1800g.

FOR EXAMPLE: Suppose you want to defrost 600g of shrimp.

1. Place the shrimp to be defrosted into the microwave oven.
2. Press the AUTO DEFROST button once.
3. Press the WEIGHT ADJUST button repeatedly to select the weight.
4. Press the START/QUICK START button.

Note: During the defrosting program, the system will pause and sound beeps to remind the user to turn the food over. Press START/QUICK START to resume defrosting.



## ***SPEED DEFROST***

The microwave oven can quickly defrost food to the set time you entered. The maximum defrosting time you can set is 45 minutes.

FOR EXAMPLE: Suppose you want to defrost shrimp.

1. Place the shrimp to be defrosted into the microwave oven.
2. Press the SPEED DEFROST button once.
3. Turn the MENU/TIME dial to set the cooking time.
4. Press the START/QUICK START button.

Note: During the defrosting program, the system will pause and sound beeps to remind the user to turn the food over. Press START/QUICK START to resume defrosting.

## ***MULTI STAGE COOKING***

Your microwave oven can be programmed for up to 2 automatic cooking sequences. Some recipes may require setting a multi-stage program involving defrosting.

FOR EXAMPLE: Suppose you want to set the following cooking program.

Speed defrost



Microwave cooking

1. Input a speed defrosting program.
2. Press the MULTI STAGE COOKING button.
3. Input a microwave cooking program.
4. Press the START/QUICK START button.

Note:

If you want to use the defrost program in a multi-stage cooking program, you can only set speed defrost program on the first stage. Auto defrost and auto cook cannot be set in a multi-stage cooking program.

## ***CHILD LOCK***

Used to prevent unsupervised operation of the microwave oven by little children. The CHILD LOCK indicator will show up on the display screen, and the microwave oven cannot be operated while the CHILD LOCK is set.

To set the CHILD LOCK: Press and hold the STOP/CANCEL button for 3 seconds, a beep sounds and the LOCK indicator lights.

To cancel the CHILD LOCK: Press and hold the STOP/CANCEL button for 3 seconds until the LOCK indicator is turned off.

## ***AUTO COOK***

For this cooking mode, it is not necessary to program the duration and the cooking power. It is sufficient to indicate the type of food that you wish to cook as well as the weight of the food. In order to do this, rotate the MENU/TIME dial anti-clockwise once, then rotate to select a category of food/cooking mode. Once selected press WEIGHT ADJUST to indicate the weight of the food to be cooked. The microwave oven will begin cooking once the START/QUICK START button is engaged.

You may need to turn food over in the middle of your selected cooking time to obtain uniform cooking.

FOR EXAMPLE: Suppose you want to cook 400g of fish.

1. Turn the MENU/TIME dial anti-clockwise once and rotate until code "06" displays.
2. Press WEIGHT ADJUST to indicate a weight of 400g.
3. Press the START/QUICK START button.

## Auto Cook Menu

Code	Food/Cooking Mode	
01	Milk/Coffee (200ml/cup)	<ol style="list-style-type: none"> <li>1. Press WEIGHT ADJUST to select weight or amount of food.</li> <li>2. The result of auto cooking depends on factors such as fluctuation of voltage, the shape and size of food, your personal cooked preference of certain foods, and even how well you happen to place food in the oven. If you find the result at any rate is not quite satisfactory, please adjust the cooking time accordingly.</li> <li>3. For Spaghetti, add boiling water before cooking.</li> </ol>
02	Rice (g)	
03	Spaghetti (g)	
04	Potato (230g/unit)	
05	Auto Reheat (g)	
06	Fish (g)	
07	Pizza (g)	
08	Popcorn (99g)	

## CLEANING AND CARE

1. Turn off the microwave oven and remove the power plug from the wall socket before cleaning.
2. Keep the inside of the microwave oven clean. When food splatters or spilled liquids adhere to microwave oven walls, wipe with a damp cloth. Mild detergent may be used if the microwave oven gets very dirty. Avoid the use of spray and other harsh cleaners as they may stain, streak or dull the door surface.
3. The outside surfaces should be cleaned with a damp cloth. To prevent damage to the operating parts inside the microwave oven, water should not be allowed to seep into the ventilation openings.
4. Wipe both sides of the door and window, the door seals and adjacent parts frequently with a damp cloth to remove any spills or splatters. Do not use abrasive cleaners.
5. Do not allow the control panel to become wet. Clean with a soft, damp cloth. When cleaning the control panel, leave the microwave oven door open to prevent the microwave oven from accidentally turning on.
6. If steam accumulates inside or around the outside of the microwave oven door, wipe with a soft cloth. This may occur when the microwave oven is operated under high humidity conditions, this is normal.
7. It is occasionally necessary to remove the glass turntable for cleaning. Wash the turntable in warm soapy water or in a dishwasher.
8. The roller ring and microwave oven floor should be cleaned regularly to avoid excessive noise. Simply wipe the bottom surface of the microwave oven with mild detergent. The roller ring may be washed in mild soapy water or in the top rack of a dishwasher. When removing the roller ring from cavity floor for cleaning, be sure to replace it in the proper position.
9. Remove odours from your microwave oven by combining a cup of water with the juice and the skin of one lemon in a deep microwaveable bowl, microwave for 5 minutes. Wipe thoroughly and dry with a soft cloth.
10. When it becomes necessary to replace the microwave oven light, please consult a dealer to have it replaced.
11. The microwave oven should be cleaned regularly and any food deposits removed. Failure to maintain the microwave oven in a clean condition could lead to deterioration of the cavity surface. This could adversely affect the life of the appliance and possibly result in a hazard.
12. Please dispose of this product thoughtfully, at your local council.

---

## Warranty Against Defects

### 1 WHAT THIS WARRANTY RELATES TO

- 1.1 This warranty covers goods supplied by Coast RV Pty Ltd T/A Coast to Coast RV Services ("Supplier") to the Client ("Goods") and relates to any defects in materials and workmanship under normal use and maintenance ("Defect").

### 2 WHAT THE SUPPLIER WILL DO TO HONOUR THE WARRANTY

- 2.1 The Supplier will:

- (i) replace or repair the Goods or the defective part of the Goods free of charge;
- (ii) arrange for the Goods or the defective part of the Goods to be repaired or replaced by a qualified repairer free of charge.

- 2.2 The Supplier reserves the right to replace defective parts of the Goods with parts and components of similar quality, grade or composition where an identical part or component is not available.

- 2.3 Goods presented for repair may be replaced by refurbished goods of the same type rather than being repaired. Refurbished parts may be used to repair the goods.

### 3 WHAT THE CLIENT MUST DO TO CLAIM THE WARRANTY

- 3.1 To claim the benefit of the warranty, the Client will need to (sequentially):

- (i) first contact the Supplier; and
- (ii) present the defective Goods to the Supplier for inspection, including inspection for defective workmanship, or otherwise provide evidence of the claimed Defect, accompanied by evidence of proof of purchase and date of delivery, and if applicable, evidence of maintenance performed in accordance with the relevant maintenance schedules.

- 3.2 The claim listed in clause 3.1 may be made in person, or the claim may be sent to the address listed on this form, including the particulars required under clauses 3.1(i) and 3.1(ii).

- 3.3 The appropriate form for making a claim for warranty is as attached.

### 4 DURATION OF WARRANTY

- 4.1 This warranty will cease:

- (i) where the Goods are purchased already fitted in or as a component of a vehicle or RV: from the date that is twelve (12) months after the Client takes delivery of the vehicle or RV; and
- (ii) where the Goods are purchased separately or as an after-market item: from the date that is twelve (12) months from the date of purchase..

- 4.2 If a Defect does not materialise in the Goods prior to the date provided in clause 4.1, the Supplier will have no liability to the Client under this warranty.

### 5 RESPONSIBILITY FOR COSTS OF CLAIM UNDER THIS WARRANTY

- 5.1 The Supplier is responsible for the costs directly associated with repairing or replacing the Goods in accordance with clause 2.1 only.

- 5.2 Any works required to be completed in addition to fixing the Defect are the responsibility of the Client. Additional works includes any costs associated with any testing or repair of the Goods or any goods to which they are fitted, undertaken by a third party in relation to any defect without prior authorisation from the Supplier.

- 5.3 Where it is determined that the Goods do not have a Defect, the Client will be charged a GST exclusive inspection fee of forty-five dollars (\$45.00AUD in Australia or \$45.00NZD in New Zealand) plus freight costs for the return of the Goods, this is subject to change without notice.

- 5.4 The cost of delivery and insurance of the Goods to and from the Supplier, travel costs to and from the Supplier, and the cost of inspecting and testing the Goods are the sole responsibility of the Client.

## **6 WARRANTY LIMITATIONS**

- 6.1 The Supplier makes no warranties or representations other than those set out in this warranty document except as is required by law.
- 6.2 The Supplier will not be liable under this warranty:-
- (i) to the Client or any other person for any consequential, direct or indirect loss, damage or costs incurred or suffered by the Client or any other person, including but not limited to damage to persons, other property, loss of turnover, loss of profits, loss of business or goodwill;
  - (ii) to the Client for transportation or travel costs which are the Client's responsibility;
  - (iii) for damage or defects in any Goods caused by improper transportation, storage or any other misuse, neglect or accident.
  - (iv) for the installation of the Goods. Any fault or defect due to installation should be referred to the installer. The Goods must be installed in accordance with the Manufacturer's instructions and any relevant legislation or code.
- 6.3 This warranty covers the Client only and it is not transferrable if the Goods are sold by the Client during the warranty period.

## **7 WARRANTY EXCLUSIONS**

- 7.1 This warranty will not apply where:
- (i) the Goods have been improperly modified or repaired or the Good's defect has arisen due to the Client's failure to properly install, fit, maintain, service or use the Goods in accordance with the specifications and instructions provided by the Manufacturer, including a failure to comply with the relevant maintenance schedule (where applicable);
  - (ii) the Supplier cannot establish any Defect in the Goods after testing;
  - (iii) the Goods have been used other than for the purpose for which they were designed;
  - (iv) the Goods have been subject to abnormal conditions, including but not limited to temperature, pressure, stress, load or similar;
  - (v) the Client or installer have used or fitted non-genuine or non-approved parts and accessories to the Goods or have failed to use recommended parts and accessories;
  - (vi) the Good's defect has arisen due to abuse, misuse, neglect or accident;
  - (vii) the Goods have not been installed in accordance with the relevant instructions;
  - (viii) the Good's defect is caused by use or fair wear and tear of the Goods (or expendable parts).

## **8 RIGHTS AT LAW**

- 8.1 The benefits given to the Client under this warranty are in addition to other rights and remedies of the Client at law in relation to the Goods.
- 8.2 In Australia our Goods come with guarantees that cannot be excluded under the Australian Consumer Law. You are entitled to a replacement or refund for a major failure and for compensation for any other reasonably foreseeable loss or damage. You are also entitled to have the Goods repaired or replaced if the Goods fail to be of acceptable quality and the failure does not amount to a major failure.

# WARRANTY CLAIM FORM

Warranty Providers Name:

Coast RV Pty Ltd trading as Coast to Coast RV Services

ABN 49 097 104 492 - ACN 101 461 330

Warranty Providers Address:

PO Box 415 Regents Park NSW 2143 Australia OR;

PO Box 58-054 Botany AUCKLAND 2163 New Zealand

Client:

Contact No.

Description of Goods provided:

Receipt enclosed: *(tick box)*

Yes

No

Receipt No:

Description of defects (Give as much detail as possible. Use a separate page if required):

Date of purchase/services provided:

I hereby declare that the information provided above is true and correct and to the best of my knowledge and belief and I have complied with all the conditions of the warranty.

Signed:.....

Name: .....  
(please print)

Dated: .....

[Please note, the issue or completion of this form by the Client does not constitute an admission of liability by the Supplier]